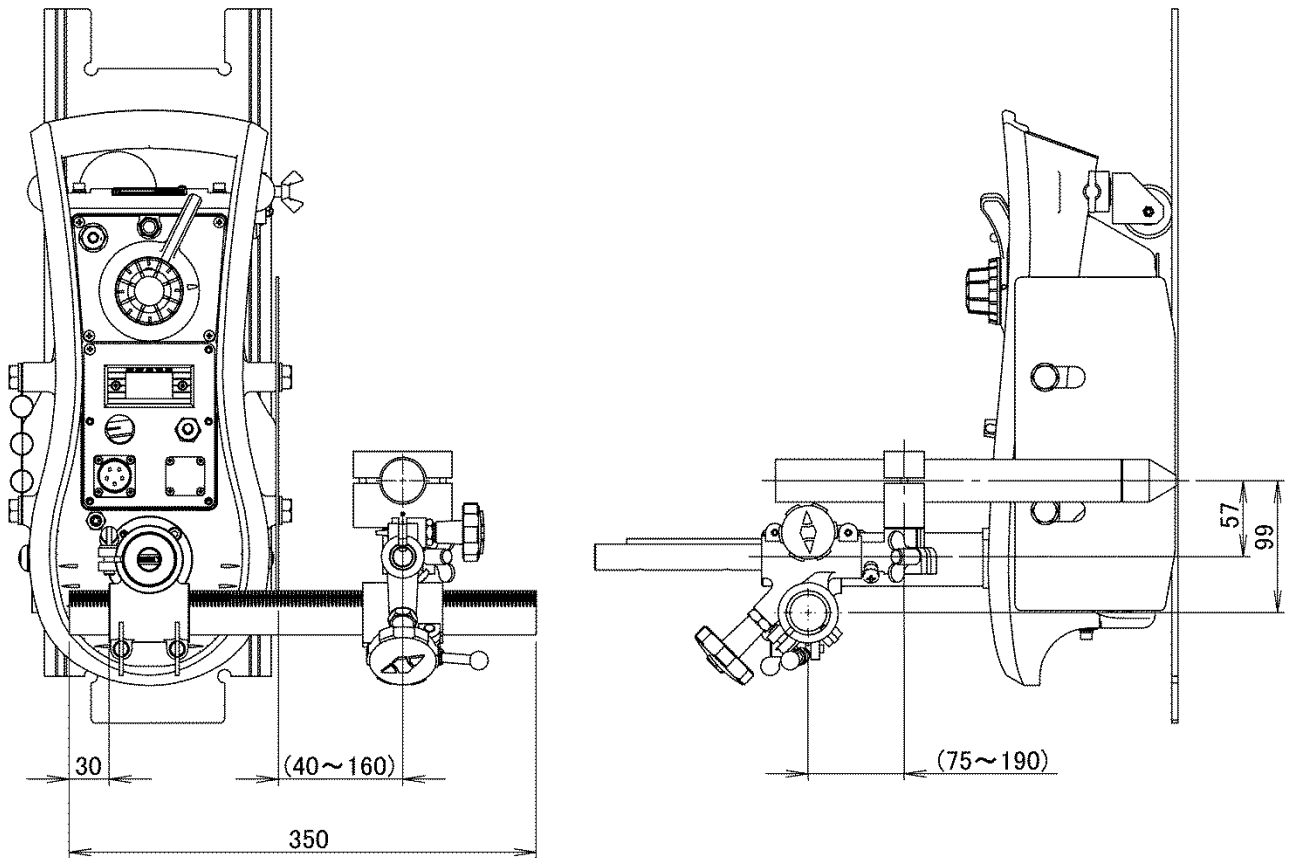


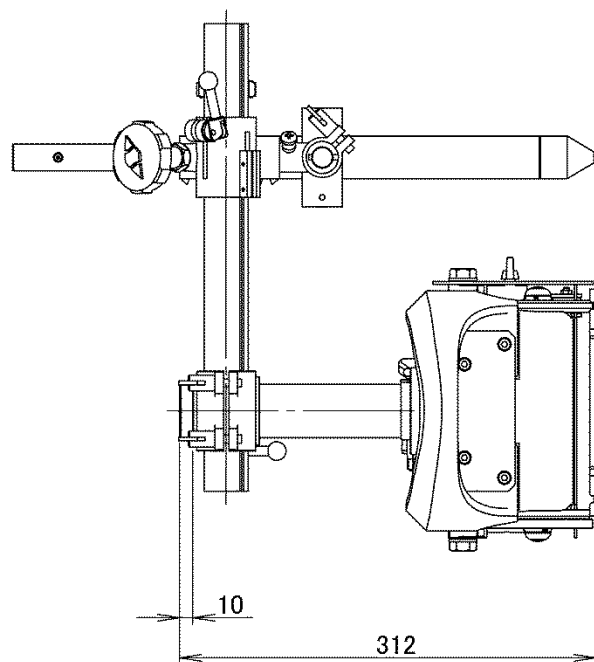
TYPE-F PLASMA HOLDER SET



Assembly drawing of IK-12 NEXT



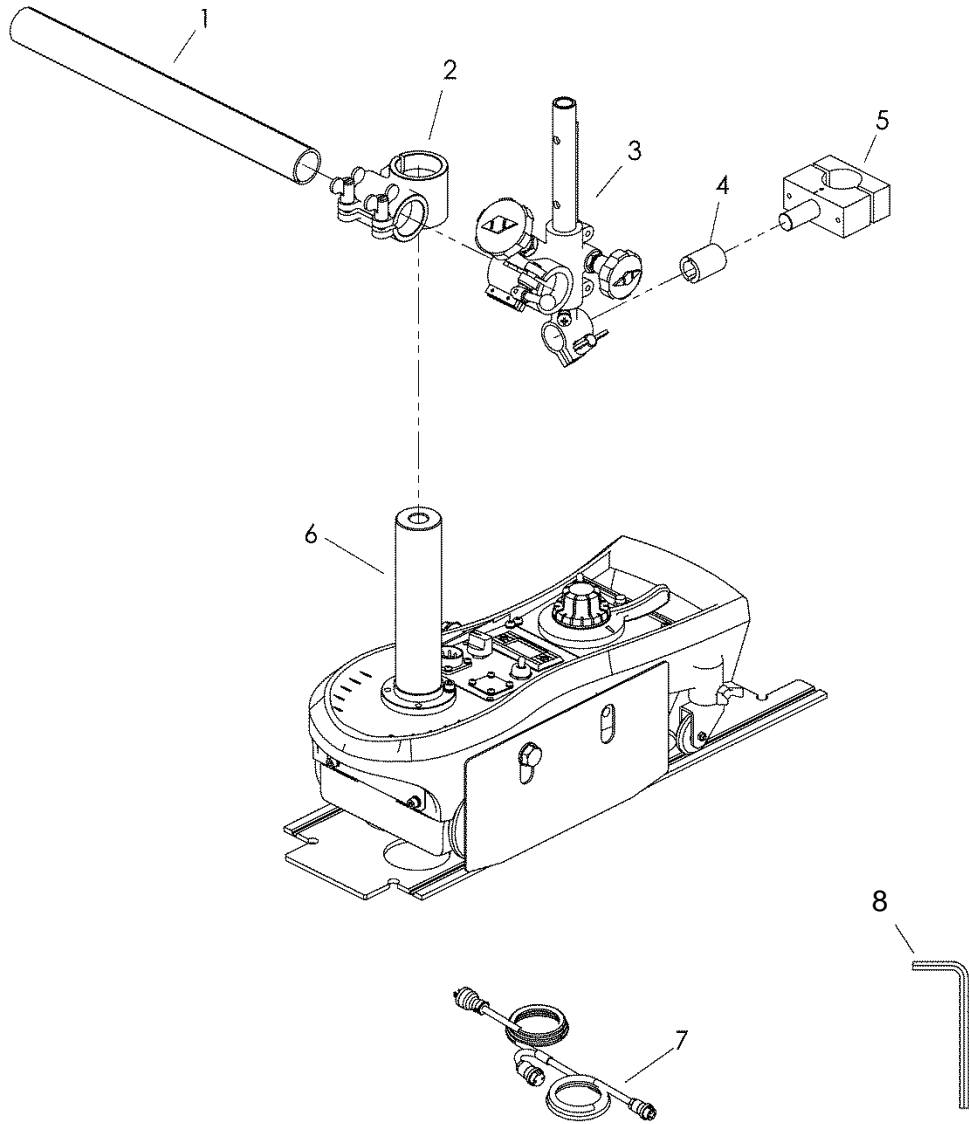
10mm=0.394inch
30mm=1.181inch
40~160mm=1.575~6.299inch
57mm=2.244inch
75~190mm=2.953~7.480inch
99mm=3.898inch
312mm=12.284inch
350mm=13.780inch



TYPE-F PLASMA HOLDER SET



Parts list



ITEM No.	PART NAME	QTY	STOCK No.	REMARKS
1	Pipe arm	1	60030300	350L
2	Bar holder assembly	1	60030301	
3	Torch holder(F type)	1	60035080	
4	Bush	1	60061282	16-24
5	Φ35 holder assembly	1	60036271	
6	Stand	1	60030440	180L
7	Power cable for plasma	(1)	61004860	Option
	Power cable for plasma	(1)	61005388	Option KE only
8	Hexagonal wrench 4mm	1	6W700006	

ITEM No.	PART NAME	QTY	STOCK No.	REMARKS