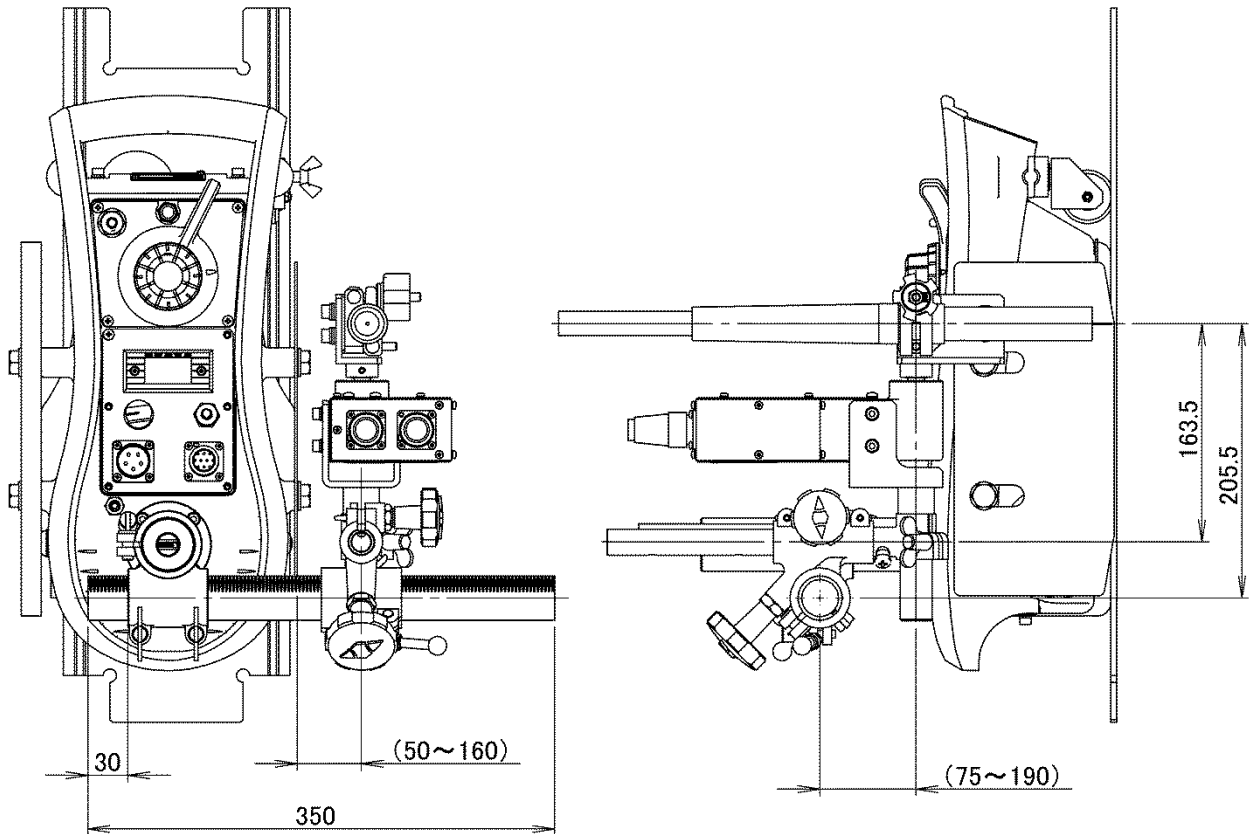
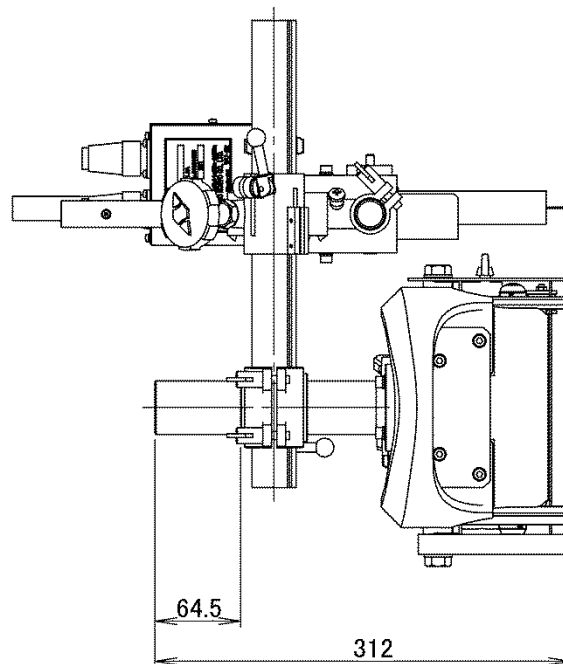


# TYPE-F WU-3R WEAVING HOLDER SET

Assembly drawing of IK-12 NEXT

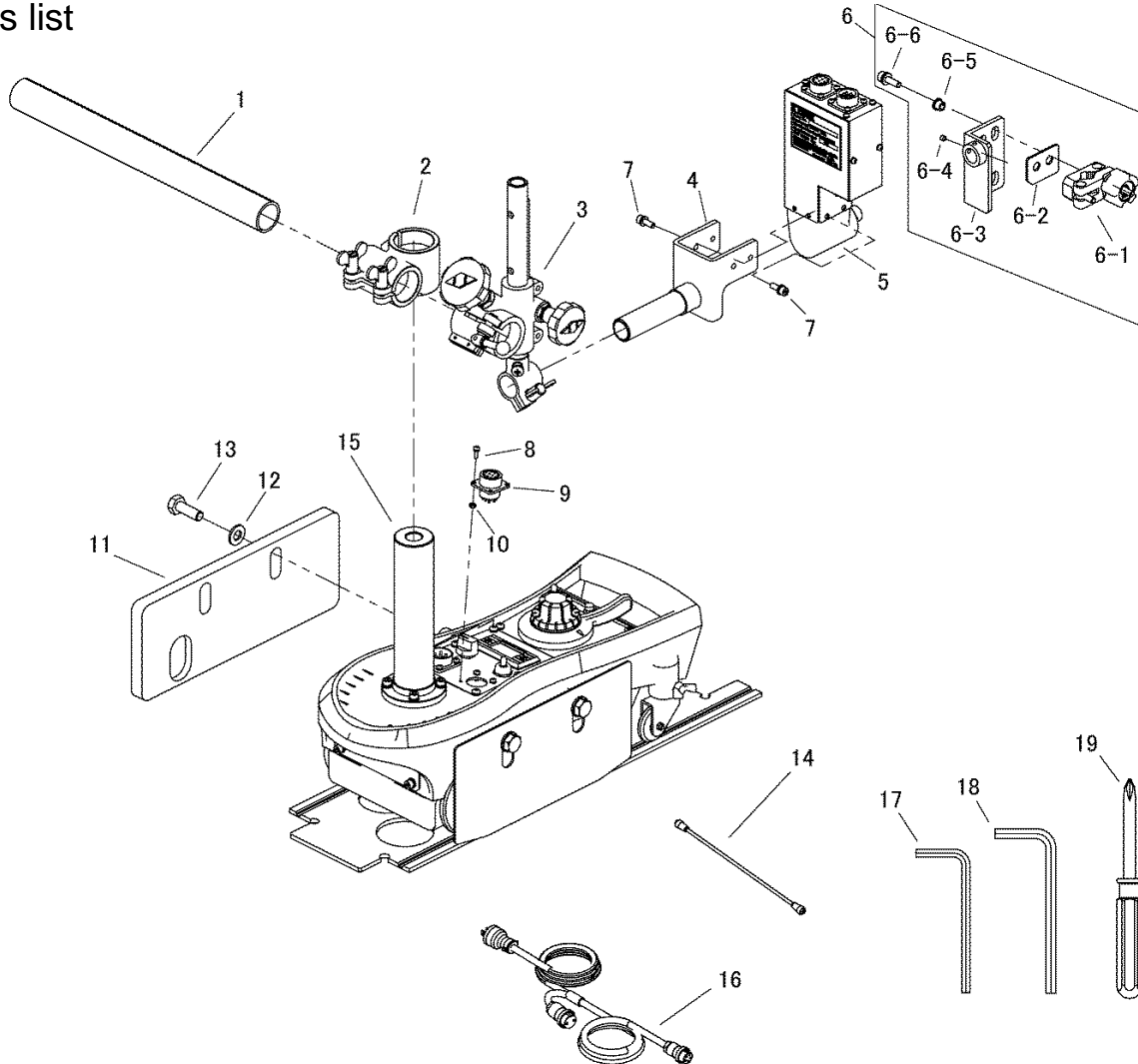


30mm=1.181inch
50~160mm=1.969~6.299inch
64.5mm=2.539inch
75~190mm=2.953~7.480inch
163.5mm =6.437inch
205.5mm =8.091inch
312mm=12.284inch
350mm=13.780inch



# TYPE-F WU-3R WEAVING HOLDER SET

## Parts list



ITEM No.	PART NAME	QTY	STOCK No.	REMARKS
1	Pipe arm	1	60030300	350L
2	Bar holder assembly	1	60030301	
3	F type holder	1	60035080	
4	Mount bracket	1	61006543	
5	WEAVING UNIT WU-3R	1	20511084	Except KE ★
	WEAVING UNIT WU-3R	(1)	20508486	KE only ★
6	Torch holder assembly	1	20505395	
6-1	Clamp assembly	1	20505525	
6-2	Insulating plate	1	60038148	
6-3	Bracket	1	61001261	
6-4	Screw	2	6C560505	SSS-5x5
6-5	Insulating collar	2	60038149	
6-6	Hexagon bolt	2	6C450620	BC-6x20 (WS,WF)
7	Hexagon bolt	4	6C450515	BC-5x15 (WS,WF)
8	Screw	1	6C570310	SP-3x10
9	Weaving harness	1	20507397	
	Receptacle	1	64000523	NJC-2010-RF

ITEM No.	PART NAME	QTY	STOCK No.	REMARKS
10	Nut	1	6D010030	NH-3
11	Weight plate	1	60030346	
12	Washer	2	6D500100	WF-10
13	Hexagon bolt	2	6C021030	BH-10x30
14	Signal cable assembly	1	20505398	0.5M
15	Stand	1	60030440	180L
16	Power cable for welding	1	61004860	Option
	Power cable for welding	(1)	61005388	Option KE only
17	Hexagonal wrench 4mm	1	6W700006	
18	Hexagonal wrench 5mm	1	6W700007	
19	screwdriver (+)	1	60030310	

### TYPE F WU-3R WEAVING HOLDER SET

Date of issue: Dec.2018  
2nd Mar.2019