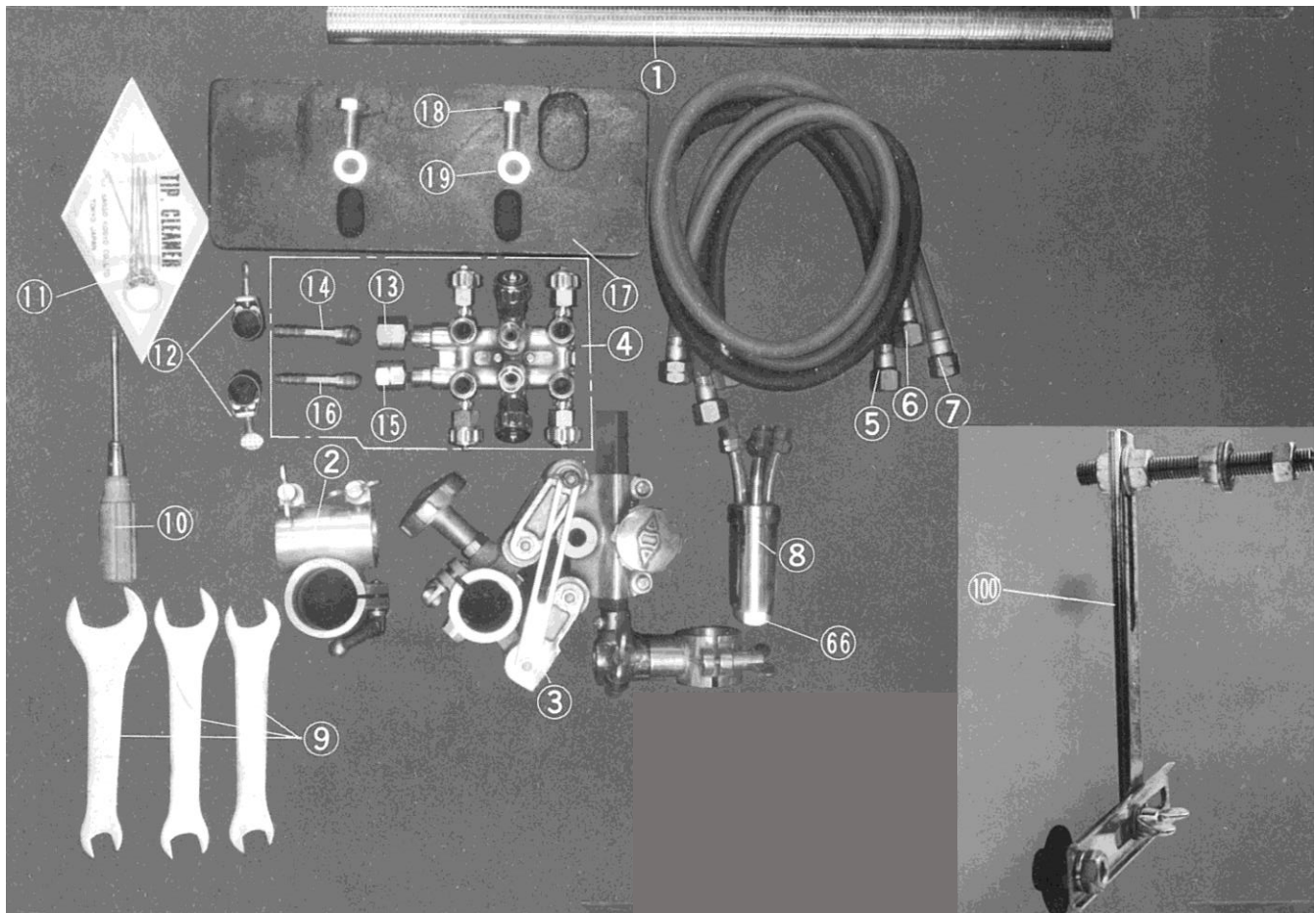


IK-12max3 TORCH SP-200



BCD16B01



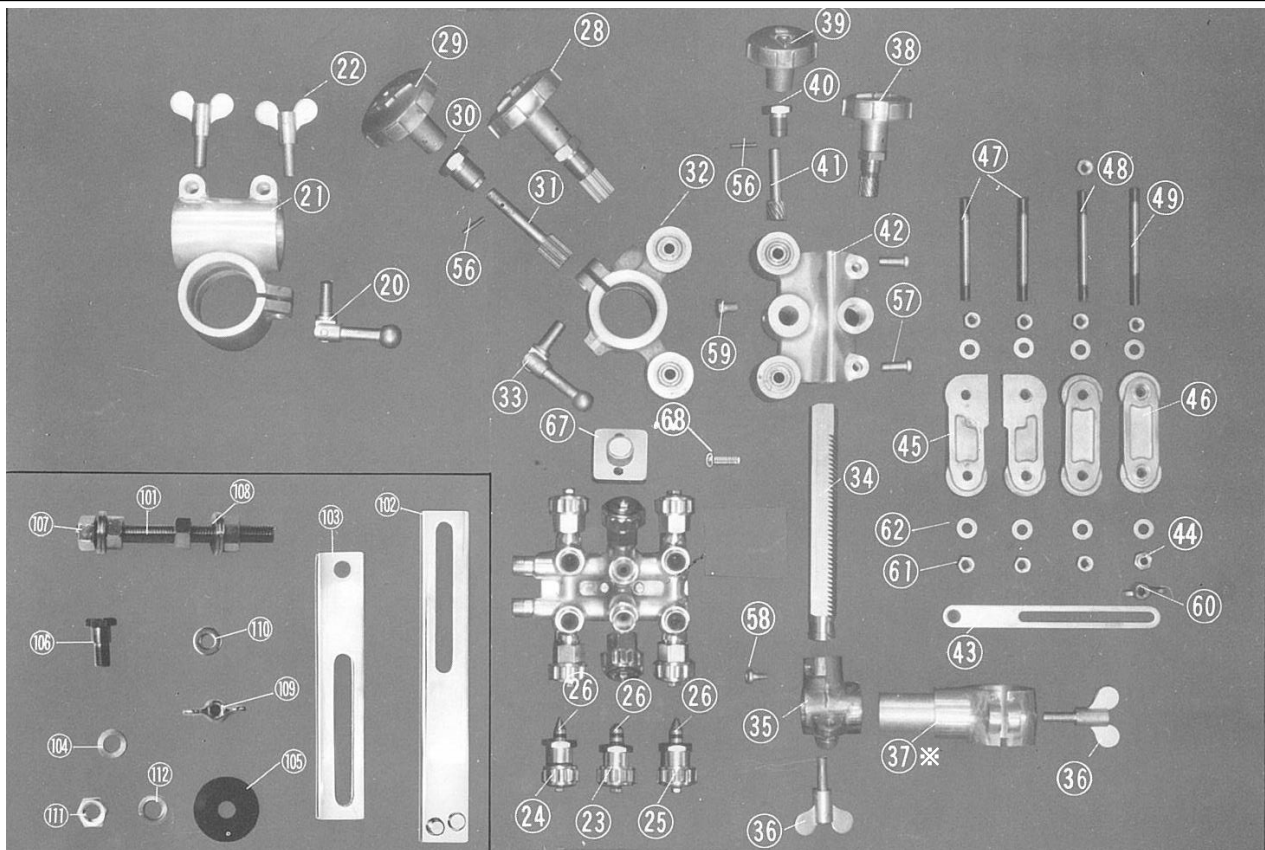
ITEM No.	PART NAME	Qty	STOCK No.	REMARKS
1	Pipe arm	1	60030321	Standard 500mm
2	Arm holder assembly	1	60030301	
3	Holder (A type)	2	60030328	
4	Distributor	1	60013251	Except U.S.A.
	Distributor	(1)	60013252	U.S.A. only
5	Hose for jet oxygen	2	60030322	Except U.S.A. KE 900mm
	Hose for jet oxygen	(2)	60030324	KE only
	Hose for jet oxygen	(2)	60030323	U.S.A. only 900mm
6	Hose for preheat oxygen	2	60030324	Except U.S.A. 900mm
	Hose for preheat oxygen	(2)	60030325	U.S.A. only 900mm
7	Hose for gas	2	60030326	Except U.S.A. 900mm
	Hose for gas	(2)	60030327	U.S.A. only
8	Torch	2	60010601	Except U.S.A. KE
	Torch	(2)	60010602	U.S.A. only
	Torch	(2)	60010606	KE only

ITEM No.	PART NAME	Qty	STOCK No.	REMARKS
9	Spanner set	1	60030309	
10	Screwdriver	1	60030310	
11	Tip cleaner	1	60030311	
12	Hose band	2	60030312	Except U.S.A
13	Nut for oxygen	1	60015001	Except U.S.A M16.P1.5
14	Hose connector for oxygen	1	60015003	Except U.S.A 5/16
15	Nut for gas	1	60015002	Except U.S.A M16.P1.5 Lift
16	Hose connector for gas	1	60015004	Except U.S.A 3/8
17	Weight	1	60030346	
18	Hex bolt	2	6C011035	BH-10x35
19	Washer	2	6D500080	WF-10
66	Tip fixing nut	2	60005020	
100	Guide roller ass'y	2	60032340	

IK-12max3 TORCH SP-200



BCD16B01



※ We have marked a line to match the scale, but we do not guarantee accuracy.
Please use this as a guide.
The line is not attached when purchasing individual parts. Mark it when replacing parts.

ITEM No.	PART NAME	Qty	STOCK No.	REMARKS
20	Crank handle	1	60030313	
21	Bar holder	1	60030314	
22	Wing bolt	2	60030315	M8x20
23	Valve for jet oxygen	2	60015251	Except KE
	Valve for jet oxygen	(2)	60015252	KE only
24	Valve for preheat oxygen	2	60015255	Except KE
	Valve for preheat oxygen	(2)	60015258	KE only
25	Valve for gas	2	60015256	
26	O-ring	(6)	60005026	
27	Distributor body	1	60013253	Except U.S.A.
	Distributor body	(1)	60013254	U.S.A only
28	Cross feed handle	1	60030316	
29	Handle	1	60030317	Φ50
30	Pinion metal	1	60030318	
31	Pinion	1	60030319	
32	Cross feed holder assembly	1	60030329	
33	Crank handle	1	60030313	
34	Slide bar	1	60030390	
35	Torch holder bracket	1	60030391	
36	Wing bolt	2	60030392	M6x20
37	Torch holder	1	60030393	※
38	Up/down handle assembly	1	60030394	
39	Handle	1	60030223	Φ40
40	Pinion metal	1	60030395	
41	Pinion	1	60030396	
42	Up/down holder assembly	1	60030330	

ITEM No.	PART NAME	Qty	STOCK No.	REMARKS
43	Set plate	1	60030331	
44	Hex nut	1	60030332	
45	Link arm(A)	2	60030333	
46	Link arm(B)	2	60030334	
47	Bearing shaft(A)	2	60030335	
48	Bearing shaft(B)	1	60030336	
49	Bearing shaft(C)	1	60030337	
56	Spring pin	2	6B022516	
57	Screw	2	6C120625	BS-6x25
58	Screw	1	6C520510	SP-5x10
59	Hex bolt	1	6C010612	BH-6x12
60	Nut	1	6D090060	NB-6
61	Nut	8	6D010060	NH-6
62	Washer	8	6D500060	WF-6
67	Distributor bracket	1	60013305	
68	Screw	2	6C520414	SP-4x14
107	Nut	4	6D010120	NH-12
108	Washer	4	6D500120	WF-12
109	Wing nut	1	6D080080	NB-8
110	Washer	1	6D500080	WF-8
111	Nut	1	6D010100	NH-10
112	Spring	1	6D510100	WS-10

IK-12max3 TORCH SP-200

Date of issue

Jul.2015

2nd

Oct.2023

