

KOIKE latest economic solution for Oxy-fuel & Air Plasma Cutting

FLEXIKEN

FLEXIKEN is equipped with high performance gantry features and KOIKE's original D430 CNC controller, which provide stable and precise cutting quality.



Features and Benefits

- **Dual Drive Machine**
Dual Drive System with high precision Rails, and CP Rack & Pinion, delivery high accuracy and cutting performance.
- **Low-Backlash Planetary Gear Box**
The stepper motor mounted on the low backlash planetary Gear Box with CP5 Rack & Pinion achieves precise settings with better positioning accuracy.
- **Reliable Gantry Design**
A Rigid, Stable and Compact gantry structure that ensures high accuracy and delivers a great cutting quality.
- **Simple Operation**
User-friendly D430 CNC controller is easy to operate and offers highly customizable parameters.
- **Suitable for both Oxy-Fuel and Plasma Cutting**
FLEXIKEN is designed for both oxy-fuel and plasma cutting. Its exclusive Torch Parking allows customer to easily interchange between Oxy-Fuel to Plasma cutting.
- **Emergency Stop Switch**
Machine is equipped with 2 emergency stop switch located on each side of machine, quickly and safely shuts off machine motion and cutting process.

FLEXIKEN is KOIKE's latest economic cutting solution, which can be widely applied to several industries, from small cutting shops to some applications on machinery manufacturing and shipbuilding industry.

Designed and manufactured under KOIKE's finest standards, **FLEXIKEN** has a rigid, stable and compact gantry structure, Precision CP5 Rack & Pinion drive with Gear Box, which ensure high accuracy and cutting quality.

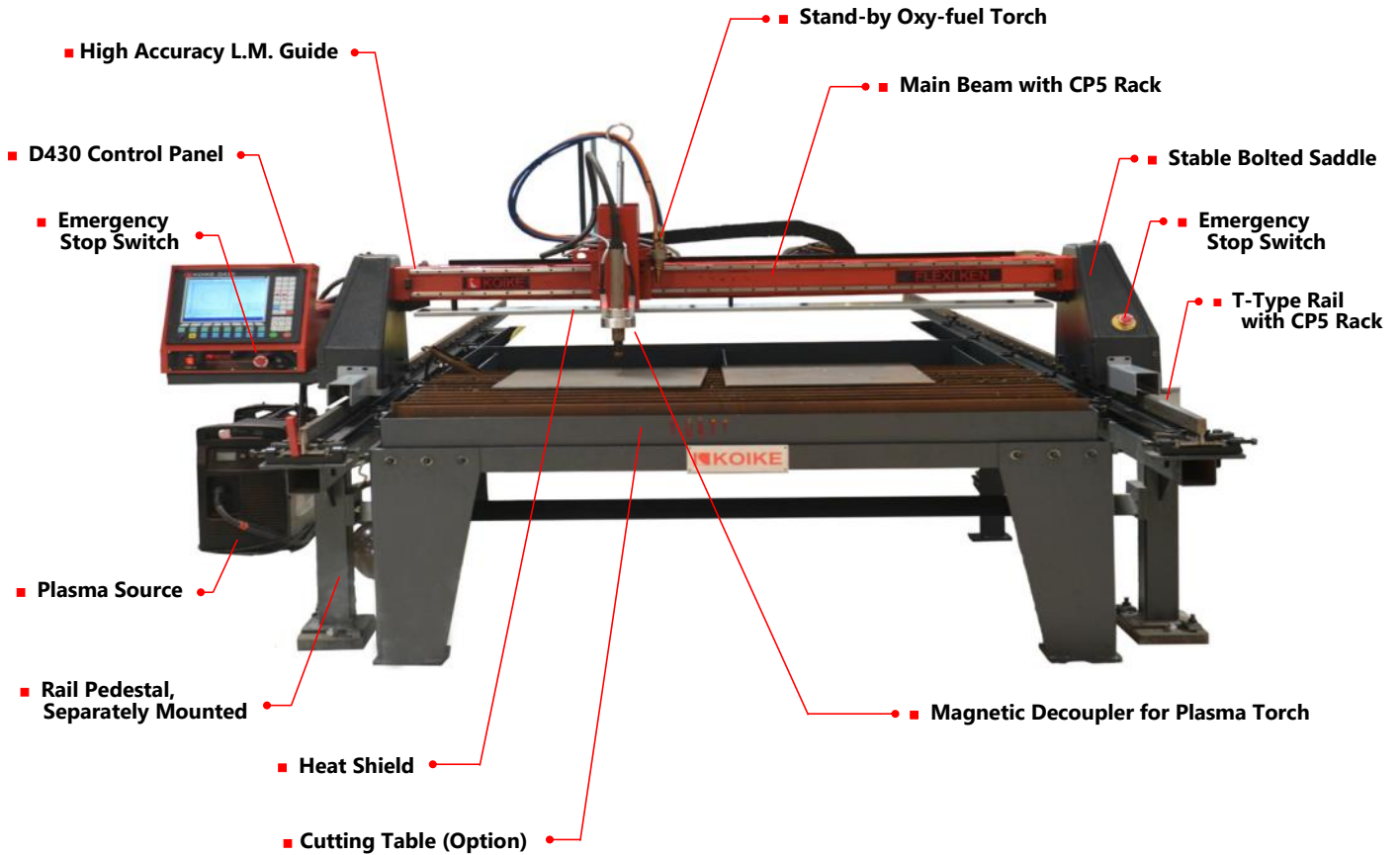
FLEXIKEN performs high precision and high speed cutting in both Oxy-fuel and Plasma cutting, delivering excellent cutting quality.

Although its standard cutting device is Oxy-Fuel, customer can also opt to add a Plasma cutting system to the machine, and the exclusive Torch Parking will give customer the possibility to easily switch manually between Oxy-Fuel and Plasma Cutting whenever it is necessary.

It's equipped with the user-friendly KOIKE D430 Controller with a 10" LCD Color Display that providing a very easy operation, 53 built-in shapes and highly customizable parameters.

FLEXIKEN:

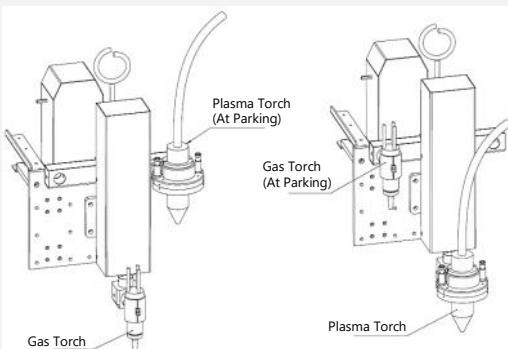
FLEXIKEN was developed to be an economic cutting solution suitable for both oxy-fuel and plasma cutting, and capable to deliver high accuracy and cutting performance. Its stable gantry structure and dual drive system makes this compact machine perfect for several kinds of industries.



Cutting Systems

FLEXIKEN standard cutting method is Oxy-Fuel Cutting, however, machines offer the possibility to customer selecting Plasma Cutting instead, as machines cutting method, or even choose to have both Oxy-Fuel and Plasma Cutting in the same machine.

In case of machine with both cutting systems, the exclusive Torch Parking allows customer to easily interchange, manually, between Oxy-Fuel and Plasma Cutting whenever the cutting job requires, while keeping the unselected torch safely stored during the whole cutting process.



Torch Parking



Oxy-Fuel Cutting Configuration

Suitable to cut mild steel plates with thickness ranges from 5mm to 75mm.

- Customizable automatic piercing sequence.
- CNC Controlled Solenoid Valves for automatic Preheat Fuel, Preheat Oxygen & Cutting Oxygen.
- KOIKE's genuine nozzle for the best cutting result. (Separately sold)



Plasma Cutting Configuration

Compatible with air plasma systems.

- CNC with in-built Arc Voltage Control (AVC). Automatically controls torch height during the cutting.
- Torch holder with Initial Height Sensor (IHS) and torch-break-away collision protection mechanism.
- High performing SMC Solenoid Valve with LED indicator.

CNC Controller

KOIKE D430 CNC Controller

KOIKE D430 Controller with all electrical & electronic parts placed in the control panel, which has air cooling (Fan).

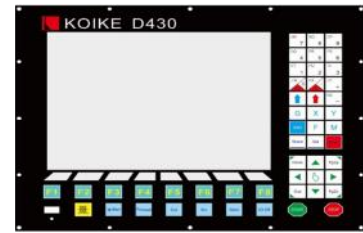
Simple to operate, it not only allows user to conduct cutting by built-in shapes available (53 built-in shapes), but also implement cutting of user's own cutting program, which can be effortlessly transferred through the USB interface available.

Control Panel position is convenient for the user during cutting processes, and can be easily moved on its end-base support, during installation or gantry accuracy setting and adjustments.



D430 Features

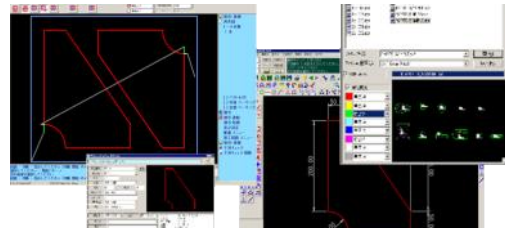
- 10" TFT Color LCD Display
- 53 Standard Patterns (Shapes)
- 2+1 Axis Control Board
- EIA Program Format
- 64M SD RAM
- USB Memory Port (1 port)
- MDI (Manual Data Input)
- Embedded Oxy-Fuel & Plasma System.



FLEXI-CAM Software

User-friendly CAD/CAM software especially designed for FLEXIKEN series.

- DXF & DWG import
- Automatic Nesting
- Creates 2D CAD drawing and NC data compatible with FLEXIKEN



Cutting Trial



Cutting Sample

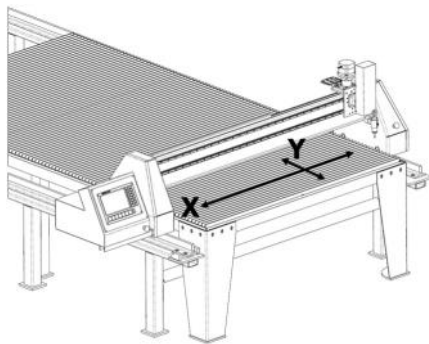


KOIKE SAN SO KOGYO CO., LTD.

- To satisfy the needs and establish the trust of KOIKE's worldwide customers.

Specification

Model	FLEXIKEN 5.0	FLEXIKEN 5.0 (XL)	FLEXIKEN 7.0	FLEXIKEN 7.0 (XL)
Rail Span (mm)	1,940	1,940	2,606	2,606
Rail Length (mm)	4,000	7,500	4,000	7,500
Effective Cutting Width (mm)	1,520	1,520	2,020	2,020
Effective Cutting Length (mm)	3,100	6,300	3,100	6,300
Machine Structure	Gantry Bridge / Dual Drive (Rack & Pinion)			
Rail Type	T-Type Elevator Rail			
Rapid Drive Speed (mm/min)	8,000			
Cutting Speed (mm/min)	50 to 6,000			
Input Power Supply	1-Phase, 240V \pm 10% 50/60Hz (for different power supply, please contact us.)			
CNC	KOIKE CNC D430 – In-built AVC			
Torch Block Capacity	1 Oxy-Fuel or 1 Plasma (Interchangeable)			
Gantry Parking	850mm (Parking space)			
Plasma System	Air Plasma System (Hypertherm Powermax Series)			



Effective Cutting Area :

- **FLEXIKEN 5.0**
1520 X 3100mm (X & Y)
- **FLEXIKEN 7.0**
2020 X 3100mm (X & Y)
- **FLEXIKEN 5.0 XL**
1520 X 6300mm (X & Y)
- **FLEXIKEN 7.0 XL**
2020 X 6300mm (X & Y)

Indonesia (Jakarta)
Samsil Aidid
Marketing & Service Manager
Email: koikesamsil@gmail.com
Phone: +62-878-7906-3381

Vietnam
Trinh Tran Quoc Phong
Country Manager
Email: quocphongtrinhtran@gmail.com

Indonesia (Batam/Singapore/Malaysia)
Yuliardi Lee
Service and Sales Representative
Email: yuliardilee@gmail.com
Phone: +62-852-7299-7569

Thailand
Naran Srithanma
Service and Sales Representative
Email: naran_yama@gmail.com

Distributor



KOIKE SANSO KOGYO CO., LTD.
Overseas Sales Group

Cutting, Positioning & Welding Equipment
The most complete line in the industry

Address: 1-9-3 Onodai, Midori-Ku, Chiba City, Chiba 267-0056, Japan

Web: <https://www.koike-asia.com>